

ROBUS®

VEGAS EASY CLIP CONNECTOR PACK FOR 12V AND 24V SINGLE COLOUR IP67 LED STRIP

PLEASE READ INSTRUCTION BEFORE COMMENCING INSTALLATION AND RETAIN FOR FUTURE REFERENCES.

! Electrical products can cause death or injury, or damage to property. If in any doubt about the installation or use of this product, consult a competent electrician
Note:

Product technical information and specification may change over time without prior notification. For the latest technical information please visit our web site www.robus.com.au

Installation

- 1 Ensure mains supply is switched off before commencing work.
 - 2 When cutting, ensure that the cut is made at the scissor mark.
 - 3 When cut, to make the final cut end weather proof, use the supplied end-cap & glue. Apply glue to the end-cap and push onto the end of the strip. Ensure it is sealed. **Note: This strip is IP67 rated. When cut or joined the IP rating cannot be guaranteed.**
 - 4 Peel back 5mm of 3M tape. Open the connector, keep the LEDs pointing upwards, align the teeth with the copper conductors. Push down hard so that the teeth have pierced the PCB, close the connector. Please ensure the correct pin sequence is connected to the strip.
 - 5 Connector and LED strip must be inserted into the heat-shrink tube. The tube must be extended at least 2cm beyond the connector each side. For added weather proofing apply glue into of the tube.
 - 6 Heat the shrink tube using a heat-gun.
- Mounting the Strip:
- a. Self adhesive strip: Remove the protective film to reveal adhesive strip. Place the strip onto the desired location and press down firmly. Ensure the strip is secure.
 - b. Clips: Place the strip along the desired position. Mark the locations where the clips are required, keeping them equally spaced. Fix clips to surface using screws. Check that the screws will not impinge on concealed cables or pipes.
- 7 Connect the LED strip to LED drivers.

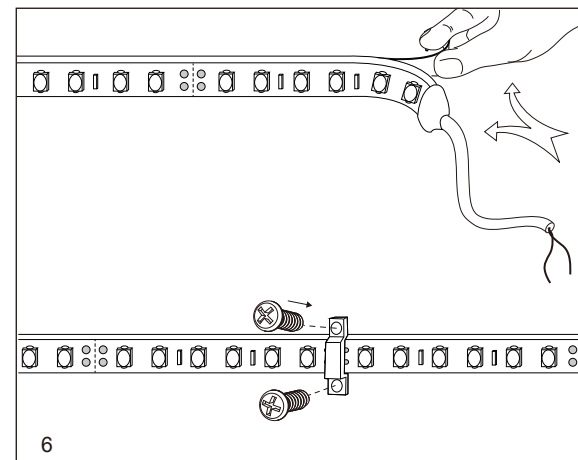
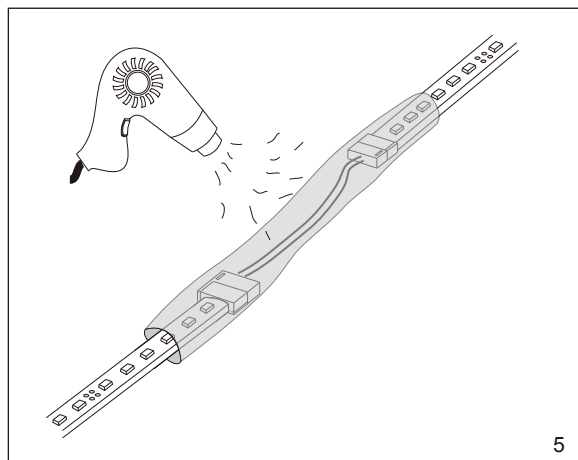
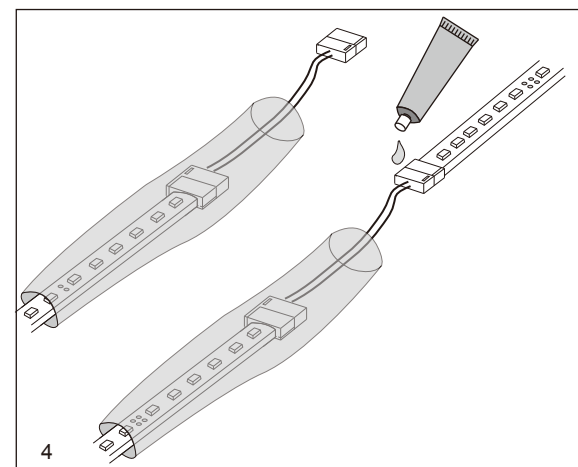
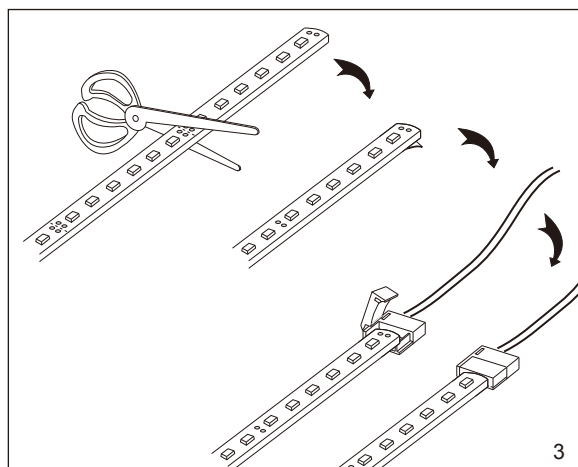
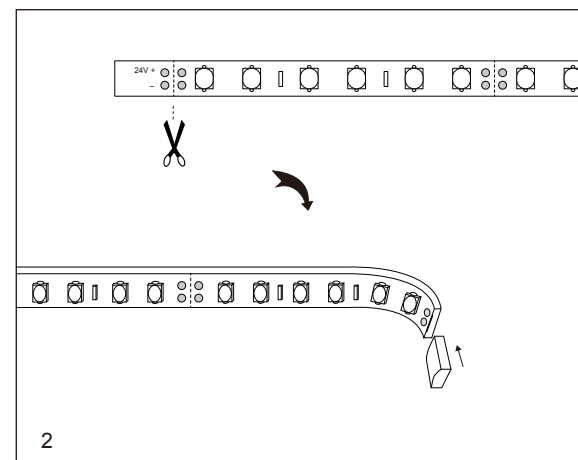
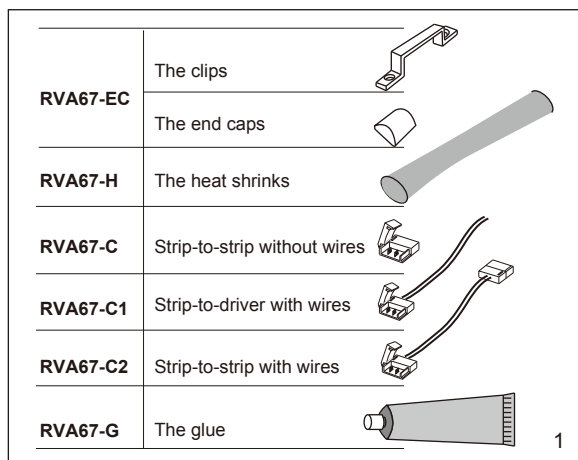
The Installation must be carried out by a qualified electrician

LED Group Australasia
9/210 Queensport Road North
Murarie
QLD 4172
Australia

Tel: 07 3890 5444
Fax: 07 3890 4777
Email: purchases@robus.com
Website: www.robus.com.au

LED Group
Crowe Hogwarth
72 Trafalgar Square
NELSON 7010
New Zealand

Tel: +64 0508 533 335
Email: nz_purchases@robus.com
Website: www.robusled.co.nz



ROBUS®

VEGAS EASY CLIP CONNECTOR PACK FOR 14.4W / 24V RGB IP67 LED STRIP

PLEASE READ INSTRUCTION BEFORE COMMENCING INSTALLATION AND RETAIN FOR FUTURE REFERENCES.

! Electrical products can cause death or injury, or damage to property. If in any doubt about the installation or use of this product, consult a competent electrician

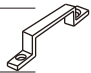





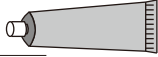
Note:

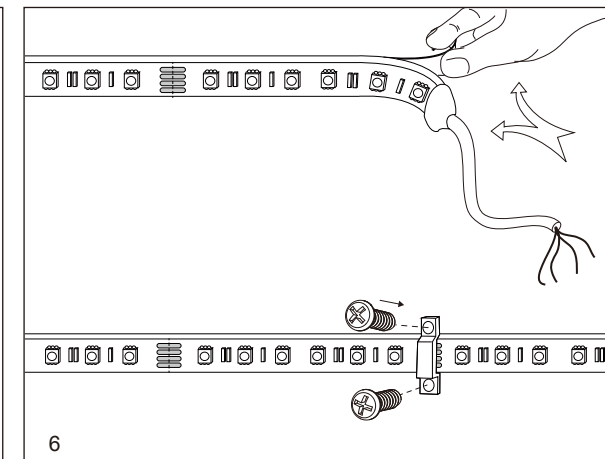
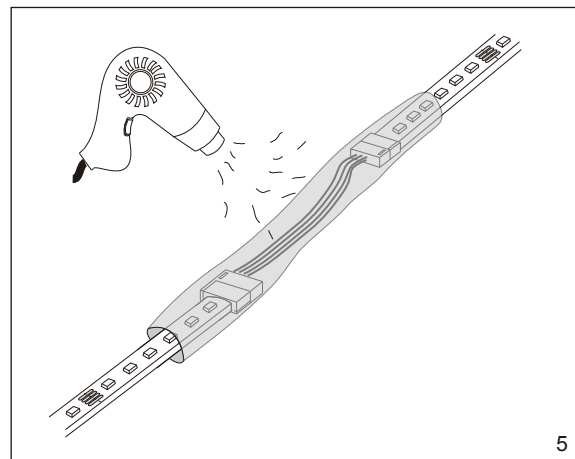
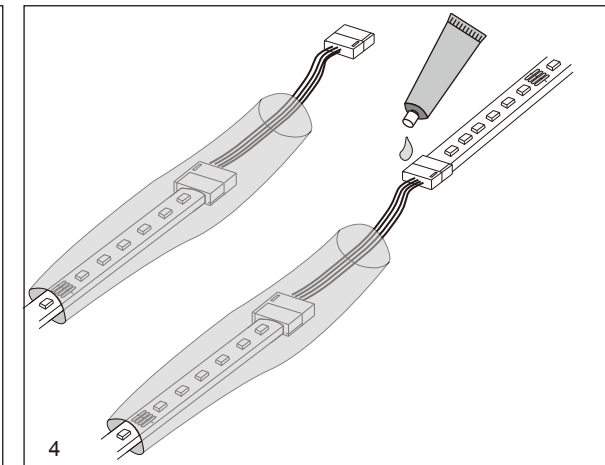
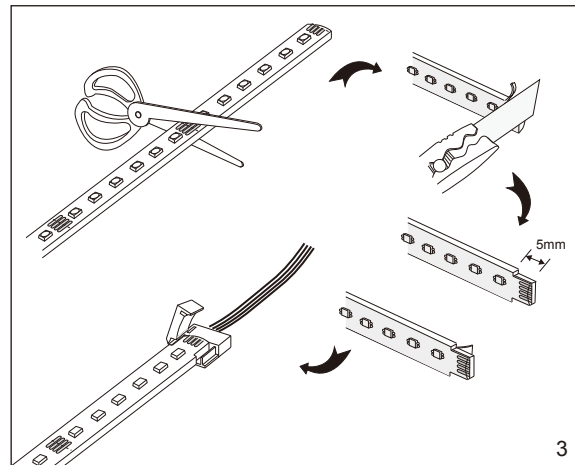
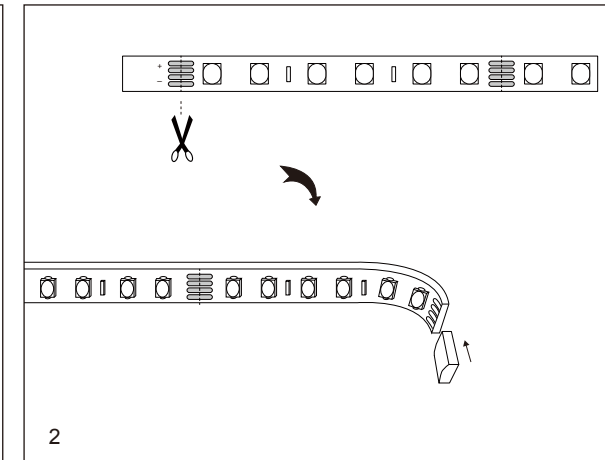
Product technical information and specification may change over time without prior notification. For the latest technical information please visit our web site www.robus.com.au

Installation

- 1 Ensure mains supply is switched off before commencing work.
 - 2 When cutting, ensure that the cut is made at the scissor mark.
 - 3 When cut, to make the final cut end weather proof, use the supplied end-cap & glue. Apply glue to the end-cap and push onto the end of the strip. Ensure it is sealed. **Note: This strip is IP67 rated. When cut or joined the IP rating cannot be guaranteed.**
 - 4 Peel back 5mm of 3M tape. Using a knife cut off 5mm from the sides of the LED strip. Care must be taken not to damage the LED track. Push down hard so that the teeth have pierced the PCB, close the connector. Please ensure the correct pin sequence is connected to the strip.
 - 5 Connector and LED strip must be inserted into the heat-shrink tube. The tube must be extended at least 2cm beyond the connector. For added weather proofing apply glue into of the tube.
 - 6 Heat the shrink tube using a heat-gun.
- Mounting the Strip:
- a. Self adhesive strip: Remove the protective film to reveal adhesive strip. Place the strip onto the desired location and press down firmly. Ensure the strip is secure.
 - b. Clips: Place the strip along the desired position. Mark the locations where the clips are required, keeping them equally spaced. Fix clips to surface using screws. Check that the screws will not impinge on concealed cables or pipes.
- 7 Connect the LED strip to LED drivers.

The Installation must be carried out by a qualified electrician

RVA67-EC	The clips	
	The end caps	
RVA67-H	The heat shrinks	
RVA67RGB-C	Strip-to-strip without wires	
RVA67RGB-C1	Strip-to-driver with wires	
RVA67RGB-C2	Strip-to-strip with wires	
RVA67-G	The glue	



ROBUS®

VEGAS EASY CLIP CONNECTOR PACK FOR 12W / 24V RGBW IP67 LED STRIP

PLEASE READ INSTRUCTION BEFORE COMMENCING INSTALLATION AND RETAIN FOR FUTURE REFERENCES.

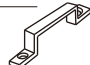

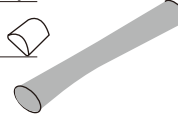



! Electrical products can cause death or injury, or damage to property. If in any doubt about the installation or use of this product, consult a competent electrician
Note:

Product technical information and specification may change over time without prior notification. For the latest technical information please visit our web site www.robus.com.au

Installation

- 1 Ensure mains supply is switched off before commencing work.
 - 2 When cutting, ensure that the cut is made at the scissor mark.
 - 3 When cut, to make the final cut end weather proof, use the supplied end-cap & glue. Apply glue to the end-cap and push onto the end of the strip. Ensure it is sealed. **Note: This strip is IP67 rated. When cut or joined the IP rating cannot be guaranteed.**
 - 4 Peel back 5mm of 3M tape. Open the connector, keep the LEDs pointing upwards, align the teeth with the copper conductors. Push down hard so that the teeth have pierced the PCB, close the connector. Please ensure the correct pin sequence is connected to the strip.
 - 5 Push the connector onto the LED track and ensure it is secure.
 - 6 Connector and LED strip must be inserted into the heat-shrink tube. the tube must be extended at least 2cm beyond the connector each side. For added weather proofing apply glue into of the tube.
 - 7 Heat the shrink tube using a heat-gun.
- Mounting the Strip:
- a. Self adhesive strip: Remove the protective film to reveal adhesive strip. Place the strip onto the desired location and press down firmly. Ensure the strip is secure.
 - b. Clips: Place the strip along the desired position. Mark the locations where the clips are required, keeping them equally spaced. Fix clips to surface using
- 8 Connect the LED strip to LED drivers.

The Installation must be carried out by a qualified electrician

RVA67-EC	The clips	
	The end caps	
RVA67-H	The heat shrinks	
RVA67RGBW-C	Strip-to-strip without wires	
RVA67RGBW-C1	Strip-to-driver with wires	
RVA67RGBW-C2	Strip-to-strip with wires	
RVA67-G	The glue	